

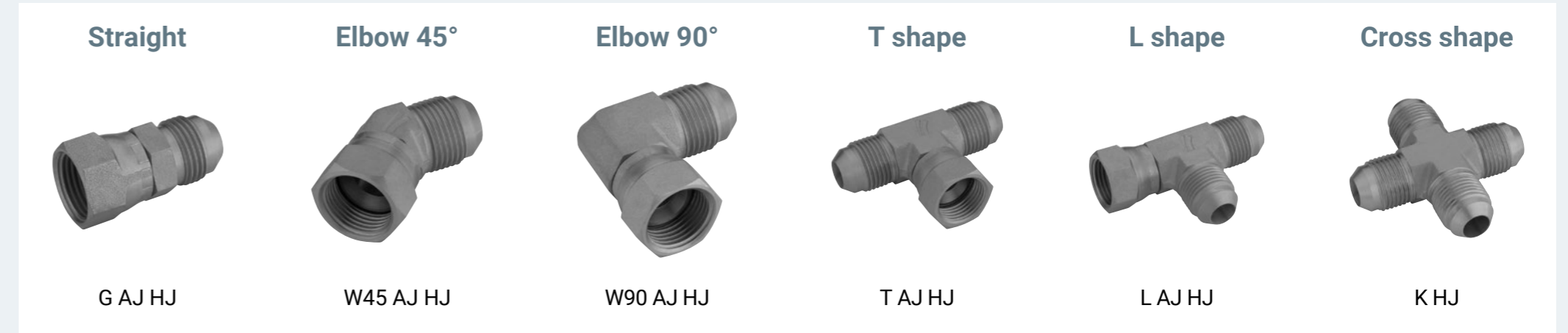
## Pipe fittings (ISO 8434-1)

Construction of a hydraulic pipeline



## Adapters

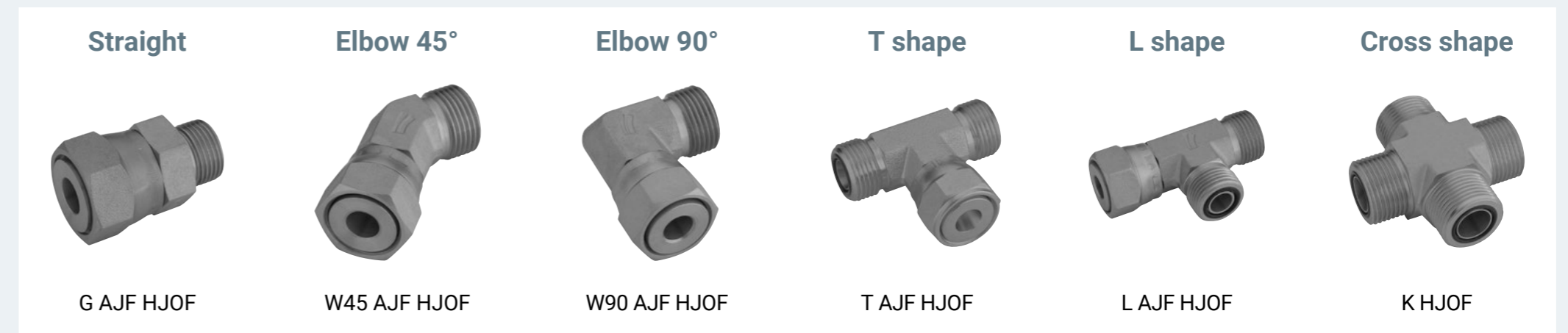
JIC adapters (ISO 8434-2)



Glands sealing cone



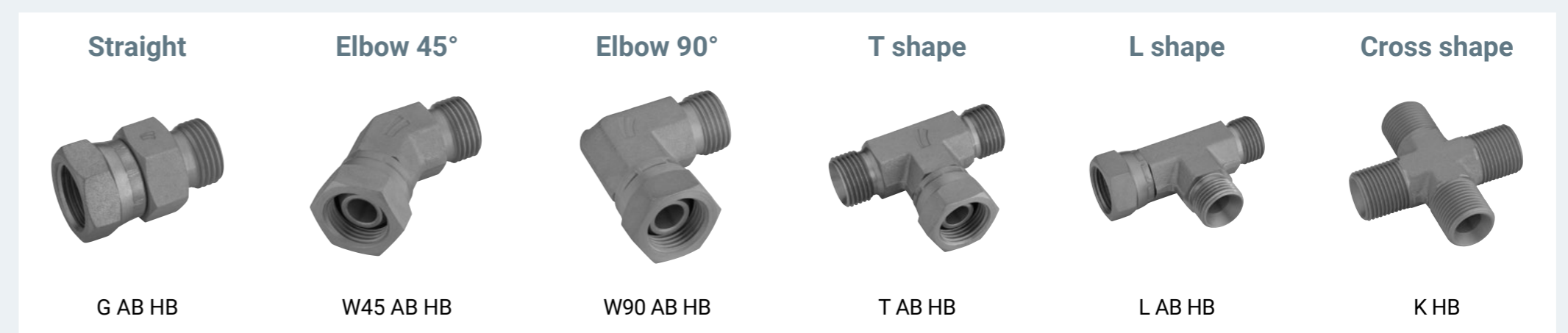
ORFS adapters (ISO 8434-3)



Connecting fittings



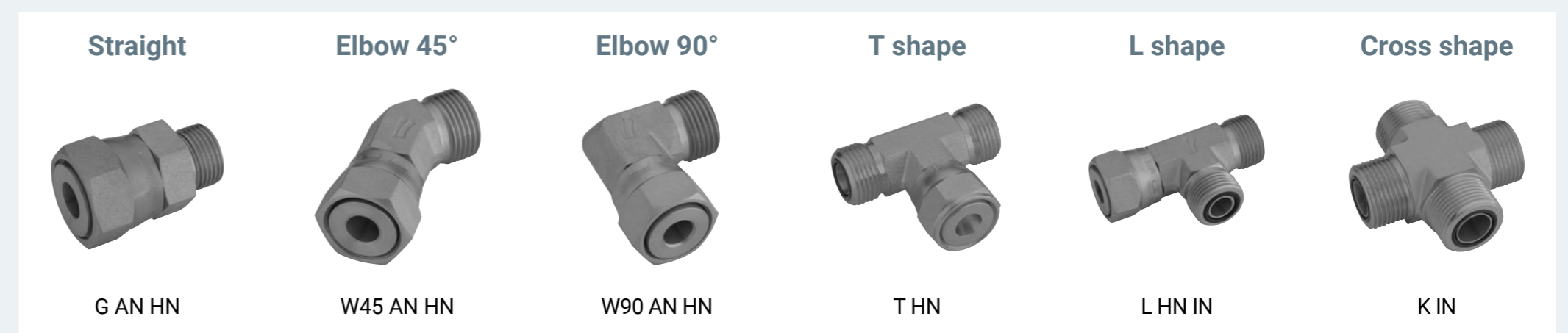
BSP 60° adapters (ISO 8434-6)



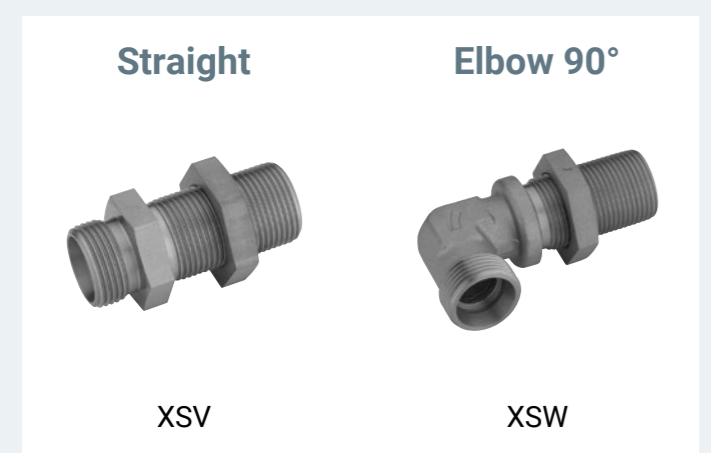
Tube end fittings



NPT adapters (SAE J514)



Bulkhead fittings



Weld-on fittings



Reducing fittings



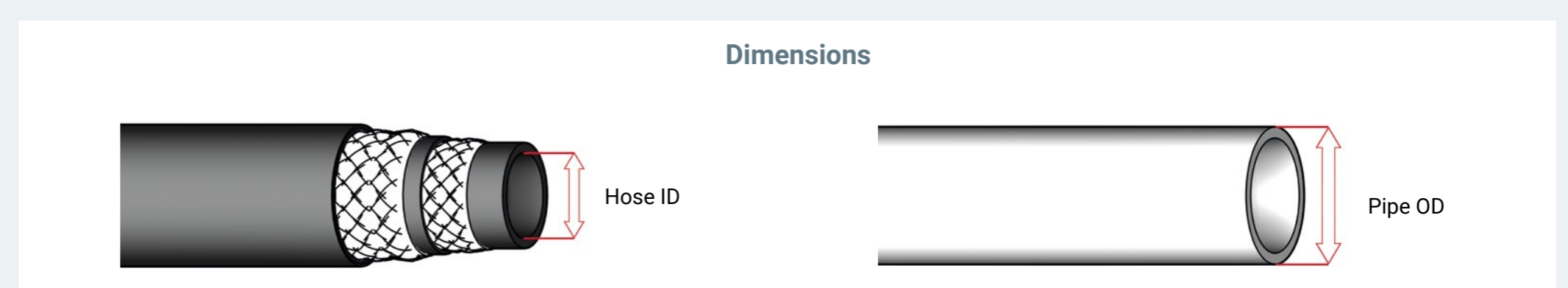
Banjo fittings



Screw-in fittings



## Technical Information



| Hose ID | 03 | 04    | 06     | 08      | 10      | 13      | 16      | 20      | 25      | 32      | 40     | 50 |
|---------|----|-------|--------|---------|---------|---------|---------|---------|---------|---------|--------|----|
| Pipe OD | S6 | L6 S8 | L8 S10 | L10 S12 | L12 S14 | L15 S16 | L18 S20 | L22 S25 | L28 S30 | L35 S38 | L42    |    |
| Size    |    | 3     | 4      | 5       | 6       | 8       | 10      | 12      | 16      | 20      | 24     | 32 |
| Inches  |    | 3/16" | 1/4"   | 5/16"   | 3/8"    | 1/2"    | 5/8"    | 3/4"    | 1"      | 1 1/4"  | 1 1/2" | 2" |

**Selection of screw-in threads**

|   |   |
|---|---|
| Metric<br>Cylindrical<br>Tapered                      | UN / UNF<br>American, cylindrical unified<br>thread / fine thread |
| In inches<br>Cylindrical (BSP/BSPP)<br>Tapered (BSPT) | NPT / NPTF<br>American, taper thread /<br>fine thread             |

**Safe and confident travel-dependent assembly**

**A:** Manual assembly with termination when resistance increases noticeably (elastomer sealing, metallic sealing) e.g. overcome the preload of o-ring  
**B: Elastomer sealing:** Tightening 90° (1/4 turn)  
**Metallic sealing:** Tightening 90° (1/4 turn)  
**ORFS-System:** Tightening 30° to 40°  
 All values shown are for guidance only

The products shown here are only an extract from our complete range. Further products can be found at [www.hansa-flex.com/catalogue](http://www.hansa-flex.com/catalogue)